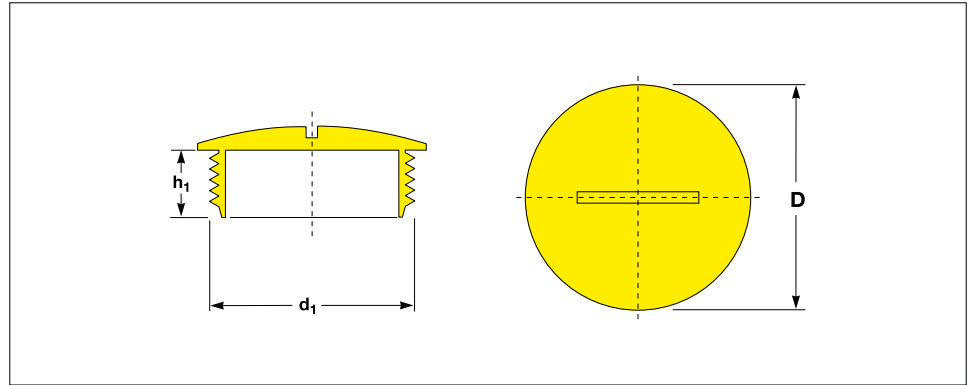


Quick-Fit® Blanking Plugs, Brass, Nickel plated

Close existing threads to secure unused ports for future use
Metric and PG ranges



Metric

All dimensions in mm

Thread size	Ø Flange	Length of thread	Reference-No.
d ₁	D	h ₁	
M 12	16.0	5.0	EPN 730 / M 12
M 16	20.0	6.0	EPN 730 / M 16
M 20	24.0	6.5	EPN 730 / M 20
M 25	28.0	7.0	EPN 730 / M 25
M 32	35.0	8.0	EPN 730 / M 32
M 40	45.0	8.0	EPN 730 / M 40
M 50	55.0	9.0	EPN 730 / M 50
M 63	68.0	10.0	EPN 730 / M 63

PG

All dimensions in mm

PG 7	14.0	5.0	EPN 730 / PG 7
PG 9	18.0	6.0	EPN 730 / PG 9
PG 11	21.0	6.0	EPN 730 / PG 11
PG 13.5	23.0	6.5	EPN 730 / PG 13.5
PG 16	25.5	6.5	EPN 730 / PG 16
PG 21	31.0	7.0	EPN 730 / PG 21
PG 29	39.0	8.0	EPN 730 / PG 29
PG 36	50.0	9.0	EPN 730 / PG 36
PG 42	57.0	10.0	EPN 730 / PG 42
PG 48	64.0	10.0	EPN 730 / PG 48

Material :
Brass,
nickel plated

Used for secure sealing of unused
internal threads or clearance holes.

Think Plastic. Go Protec.®



Should your requirements not be shown please ask for separate quotation.
PROTEC products and specifications are subject to improvement and change without notice.

Quick-Fit® Blanking Plugs, Brass, Nickel plated

Close existing threads to secure unused ports for future use
Metric and PG ranges

TRIPLE ADVANTAGE of PROTEC QUICK-FIT®

QUALITY. Nickel plated. This range fits a variety of Metric and PG thread sizes and can be applied for plugging threads in panels from 12mm to 63mm in diameter.

AVAILABILITY. With over 400 million moulded components shipped from our Oststeinbek / Hamburg logistics center we provide the fastest on time delivery service to all markets and industries.

PHILOSOPHY. The highest degree of Protec Quick-Fit functionality and safety at the best price in the market.



Material :
Brass,
nickel plated

Individual Productions :
On request we develop and produce individually tailored solutions next to the standard items of this range: additional dimensions, different materials and new colours

We would be pleased to advise you.

Think Plastic. Go Protec.®

PROTEC
PLASTICS