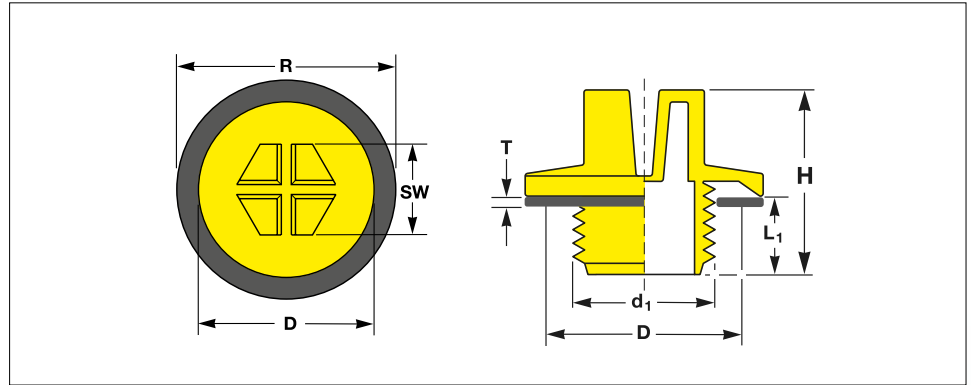


Threaded Sealing Plugs with assembled washer

Threaded sealing plug design EP 436 complete with washer provides an outstanding seal force useable under complicated working conditions

immediate

FREE
SAMPLES



Metric DIN 3852-1 / DIN ISO 6149-1

All dimensions in mm

Thread Size	Flange	Thread Length	Head height	Spanner Size	Washer		Type	Reference No.
					T	R		
d ₁	D	L ₁	H	SW	T	R		
M 10 × 1	15.4	8.0	15.0	7	1.0	16.5	yellow	EP 438 – M 10 × 1
M 12 × 1.5	18.5	9.0	16.5	10	1.0	19.9	yellow	EP 438 – M 12 × 1.5
M 14 × 1.5	20.3	9.0	17.0	10	1.0	21.5	yellow	EP 438 – M 14 × 1.5
M 16 × 1.5	23.6	10.0	20.0	13	1.0	24.5	yellow	EP 438 – M 16 × 1.5
M 18 × 1.5	25.5	11.0	20.6	13	1.0	26.5	yellow	EP 438 – M 18 × 1.5
M 22 × 1.5	28.4	12.2	21.7	15	1.0	29.5	yellow	EP 438 – M 22 × 1.5
M 27 × 2	33.4	15.0	25.0	19	1.0	34.5	yellow	EP 438 – M 27 × 2
M 30 × 2	35.9	10.0	20.0	24	1.0	37.0	yellow	EP 438 – M 30 × 2
M 33 × 2	42.5	15.0	25.0	24	1.0	43.5	yellow	EP 438 – M 33 × 2
M 36 × 2	44.1	10.0	20.0	24	1.0	47.0	yellow	EP 438 – M 36 × 2
M 42 × 2	51.3	15.0	26.0	24	1.0	52.5	yellow	EP 438 – M 42 × 2
M 45 × 2	54.9	14.6	25.7	30	1.0	56.0	yellow	EP 438 – M 45 × 2
M 48 × 2	56.7	17.0	28.0	30	1.0	57.5	yellow	EP 438 – M 48 × 2
M 52 × 2	60.5	17.0	27.7	30	1.0	61.0	yellow	EP 438 – M 52 × 2

ISO 11926-1

7/16 – 20 UNF	17.5	9.2	16.0	10	1.0	18.5	natural	EP 438 – .7/16" – 20 UNF
9/16 – 18 UNF	21.4	10.0	18.0	10	1.0	22.5	natural	EP 438 – .9/16" – 18 UNF
3/4 – 16 UNF	27.3	11.0	21.0	13	1.0	28.0	natural	EP 438 – .3/4" – 16 UNF
7/8 – 14 UNF	30.5	13.0	23.0	15	1.0	31.5	natural	EP 438 – .7/8" – 14 UNF
1 1/16 – 12 UN	38.2	15.0	25.0	19	1.0	39.0	natural	EP 438 – 1.1/16" – 12 UN
1 5/16 – 12 UN	44.8	15.0	25.0	24	1.0	46.0	natural	EP 438 – 1.5/16" – 12 UN
1 5/8 – 12 UN	56.0	15.0	26.0	30	1.0	61.0	natural	EP 438 – 1.5/8" – 12 UN
1 7/8 – 12 UN	63.7	15.0	26.0	30	1.0	64.5	natural	EP 438 – 1.7/8" – 12 UN

Material :
Premium, impact resistant Nylon
(PA 6)

Standard Colours :
yellow, natural

Threaded sealing plug design EP 436 complete with washer provides an outstanding seal force useable under complicated working conditions.

Think Plastic. Go Protec.®

PROTEC
PLASTICS

Should your requirements not be shown please ask for separate quotation.
PROTEC products and specifications are subject to improvement and change without notice.

Threaded Sealing Plugs with assembled washer

Threaded sealing plug design EP 436 complete with washer provides an outstanding seal force useable under complicated working conditions

TRIPLE ADVANTAGE of PROTEC CAPTOP®

QUALITY. EP 436 body design .For particularly high demands on tightness with additional factory-made fitting of an neoprene rubber sealing washer. Exist in a wide range of metric, Whitworth and UNF thread types. Head designed to drain leakage.

AVAILABILITY. With over 400 million moulded components shipped from our Oststeinbek / Hamburg logistics center we provide the fastest on time delivery service to all markets and industries.

PHILOSOPHY. Innovative protective closures at the best price in the market.



CAPTOP®



Material :
Premium, impact resistant Nylon
(PA 6)

Standard Colours :
yellow, natural

Individual Productions :
On request we develop and produce individually tailored solutions next to the standard items of this range: additional dimensions, different materials and new colours

We would be pleased to advise you.

Think Plastic. Go Protec.®

PROTEC
PLASTICS