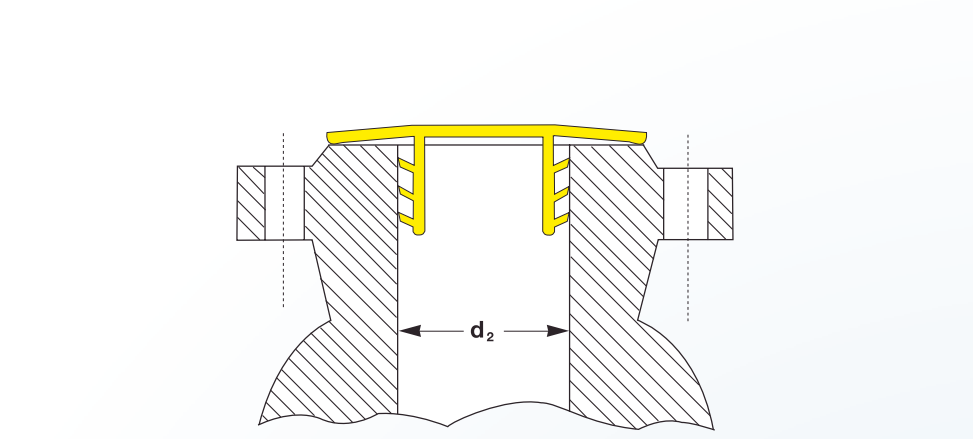
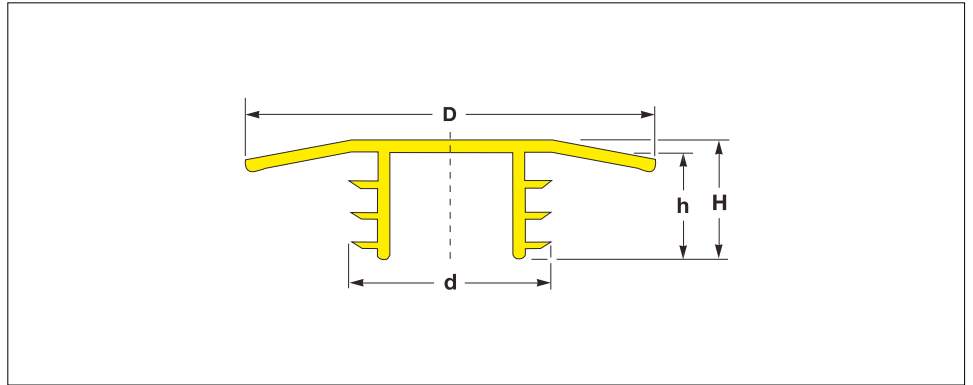


Push-In Flange Face Protectors

Guard the flange face DN 15 – DN 300
Suited to protect DIN and ANSI flanges

EX STOCK
400m
Parts
DELIVERY SERVICE



Example of application

Material :
LLD-PE,
linear low density polyethylene

Standard Colour :
yellow

Ribbed Face Protectors guard the flange face against dirt, moisture, paint, sand and short blasting.

The tapered section of the part creates a strong adhesion to various classifications of flanges, no fasteners required.

Think Plastic. Go Protec.®



All dimensions in mm

| Dim. | Ø Flange DIN | Ø Flange d ₂ | | Dimensions | | | | Lamellar Qty. | Reference No. |
|--------|-----------------|----------------------------|-------|------------|-------|------|------|---------------|-----------------|
| | | min. | max. | d | D | H | h | | |
| .1/2" | DN 15 | 11.0 | 18.5 | 18.5 | 44.8 | 16.0 | 15.0 | 3 | EP 306 / DN 15 |
| .3/4" | DN 20 | 16.0 | 23.0 | 24.0 | 58.0 | 16.0 | 15.0 | 3 | EP 306 / DN 20 |
| 1." | DN 25 | 21.0 | 29.0 | 30.0 | 70.0 | 19.0 | 18.0 | 3 | EP 306 / DN 25 |
| 1.1/4" | DN 32 | 30.0 | 37.0 | 39.0 | 78.0 | 29.0 | 28.0 | 3 | EP 306 / DN 32 |
| 1.1/2" | DN 40 | 37.0 | 43.0 | 45.0 | 88.0 | 29.0 | 28.0 | 3 | EP 306 / DN 40 |
| 2." | DN 50 | 43.0 | 54.0 | 55.5 | 102.1 | 20.1 | 18.5 | 2 | EP 306 / DN 50 |
| 2.1/2" | DN 65 | 61.0 | 71.0 | 72.5 | 122.0 | 33.5 | 33.0 | 3 | EP 306 / DN 65 |
| 3." | DN 80 | 74.0 | 83.0 | 85.0 | 138.0 | 34.0 | 33.0 | 3 | EP 306 / DN 80 |
| 4." | DN 100 | 80.0 | 110.0 | 112.0 | 162.0 | 34.5 | 35.0 | 2 | EP 306 / DN 100 |
| 5." | DN 125 | 100.0 | 135.0 | 137.5 | 189.0 | 34.8 | 35.0 | 2 | EP 306 / DN 125 |
| 6." | DN 150 | 130.0 | 167.0 | 172.0 | 215.0 | 36.4 | 35.0 | 2 | EP 306 / DN 150 |
| 8." | DN 200 | 180.0 | 216.0 | 217.2 | 270.0 | 45.1 | 43.1 | 2 | EP 306 / DN 200 |
| 10." | DN 250 | 232.0 | 267.0 | 270.9 | 345.0 | 45.1 | 43.1 | 2 | EP 306 / DN 250 |
| 12." | DN 300 | 285.0 | 316.0 | 325.0 | 408.0 | 45.1 | 43.1 | 3 | EP 306 / DN 300 |

Should your requirements not be shown please ask for separate quotation.
PROTEC products and specifications are subject to improvement and change without notice.

Push-In Flange Face Protectors

Guard the flange face DN 15 – DN 300
Suited to protect DIN and ANSI flanges

TRIPLE ADVANTAGE of PROTEC CAPTOP®

QUALITY. Ribbed Face Protectors guard the flange face against dirt, moisture, paint, sand and short blasting. The tapered section of the part creates a strong adhesion to various classifications of flanges, no fasteners required.

AVAILABILITY. With over 400 million moulded components shipped from our Oststeinbek / Hamburg logistics center we provide the fastest on time delivery service to all markets and industries.

PHILOSOPHY. Innovative protective closures at the best price in the market.



CAPTOP®



NEW

Material :
LLD-PE,
linear low density polyethylene

Standard Colour :
yellow

Individual Productions :
On request we develop and produce individually tailored solutions next to the standard items of this range: additional dimensions, different materials and new colours

We would be pleased to advise you.

Think Plastic. Go Protec.®

**PROTEC
PLASTICS**